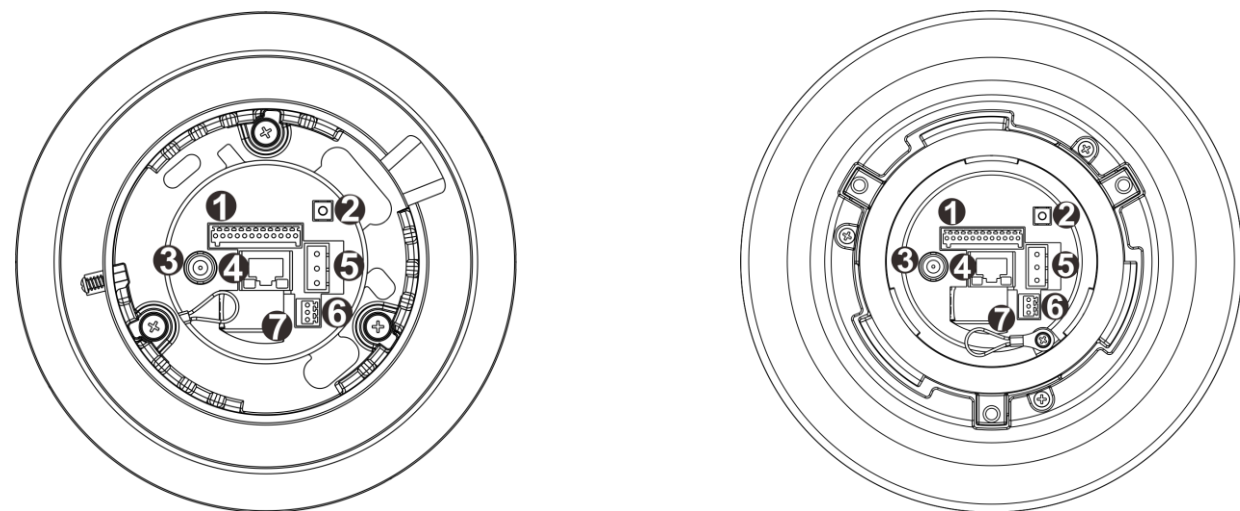


Full HD Speed Dome IP Camera Quick Guide

This guide is for quick installing and connecting the Full HD Speed Dome IP Camera. For more details, please refer to the User's Manual of the camera in the supplied CD.

Camera's Connectors



Indoor

Outdoor

Pin	Connector	Definition
1	Alarm I/O	Alarm I/O connection
2	Default Button	Press the button with one figure for at least 20 seconds to restore the system.
3	BNC	For analog video output
4	RJ-45	For network and PoE+ connections
5	Power (AC 24V)	Power connection
6	Audio I/O	Audio I/O connection
7	microSD Card Slot	Insert the microSD card into the card slot to store videos and snapshots. Do not remove the microSD card when the camera is powered on.

NOTE: It is not recommended to record with the microSD card for 24/7 continuously, as it may not be able to support long term continuous data read/write. Please contact the manufacturer of the microSD card for information regarding the reliability and the life expectancy.

Power Connection

To power up the camera, connect the AC 24V power adaptor to the power connector of the camera and the power outlet. Refer to the diagram and the pin definition table below for connection. Alternatively, users can use an Ethernet cable and connect it to the RJ-45 connector of the camera and an IEEE 802.3at 60W PoE+ switch.

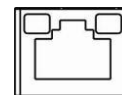
Pin	Definition
1	AC 24V 1
2	GND
3	AC 24V 2

Ethernet Cable Connection

Connect one end of the Ethernet cable to the RJ-45 connector of the camera, and plug the other end of the cable to the network switch or PC.

NOTE: In some cases, Ethernet crossover cable might be needed when connecting the camera directly to the PC.

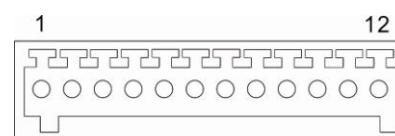
NOTE: Check the status of the link indicator and activity indicator LEDs. If the LEDs are unlit, please check the LAN connection.



Green Link Light indicates good network connection.
Orange Activity Light flashes for network activity indication.

Alarm I/O Connection

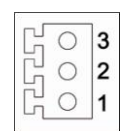
Please refer to the diagram and pin definition tables below for alarm I/O connection.



Pin	Definition	Pin	Definition	Pin	Definition	Pin	Definition
1	Alarm Out NO 1	4	GND	7	Alarm Out COM 2	10	Alarm In 3
2	Alarm Out NC 1	5	Alarm Out NO 2	8	GND	11	Alarm In 2
3	Alarm Out COM 1	6	Alarm Out NC 2	9	Alarm In 4	12	Alarm In 1

Audio I/O Connection

Please refer to the diagram and the pin definition table below for audio I/O connection.



Pin	Definition
1	Audio Out
2	GND
3	Audio In

Before Login to the Camera

A client program will be automatically installed to the PC when connecting to the camera. Before logging in to the camera, please ensure downloading the ActiveX control is allowed by either changing the ActiveX controls and plug-ins or setting Internet's security level to default. For further details, please refer to the User's Manual in the supplied CD.

ActiveX Controls and Plug-ins Settings	Internet Security Level
Step 1: Start the Internet Explorer (IE). Step 2: Select <Tools> from the main menu of the browser. Then click on <Internet Options>. Step 3: Click on the <Security> tab and select <Internet>, and click on <Custom level> to change ActiveX settings. Step 4: Set "ActiveX controls and plug-ins" items to <Prompt> or <Enable>.	Step 1: Start the IE Internet Explorer (IE). Step 2: Select <Tools> from the main menu of the browser. Then click on <Internet Options>. Step 3: Click on the <Security> tab and select <Internet>. Step 4: Down the page, click on <Default Level> and <OK> to confirm the setting. Close the browser window, and open a new one later for accessing the IP camera.

Camera Login

The default IP address of the camera is: **192.168.0.250**. Therefore, to access the camera for the first time, please set the IP address of the PC as: 192.168.0.XXX; for example:

IP Address: 192.168.0.100
Subnet Mask: 255.255.255.0

Login ID & Password

- Key in the camera's IP address in the URL bar of the web browser window and hit "Enter".
- Enter the default username (**Admin**) and password (**1234**) in the prompt request dialogue. Note that username is case sensitive.



Install the ActiveX Control

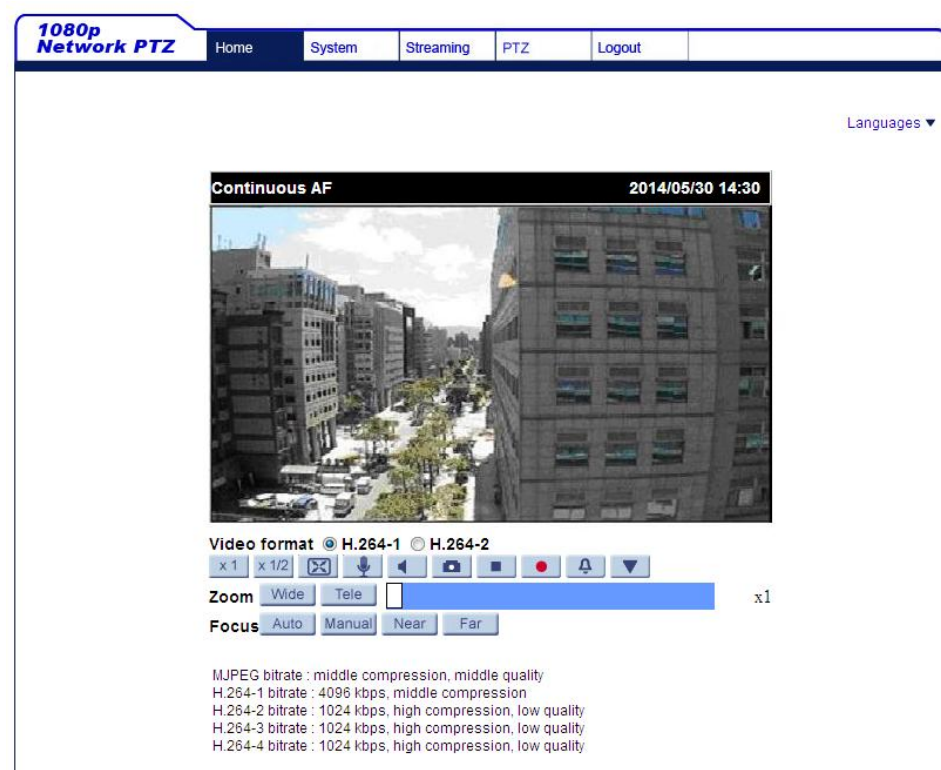
- After connecting to the camera, the request for installing the ActiveX control will appear just below the URL bar.
- Right click on the information bar and click on <Install ActiveX Control...> to permit ActiveX control installation.



- In the pop-up security warning window, click on <Install> to start downloading DC Viewer software on the PC.
- Click on <Finish> after DC Viewer installation is completed.

Browser-based Viewer

The main page of the IP camera user interface is as shown below.



SCO4123

Full HD Ultra WDR Speed Dome IP Camera Quick Guide

